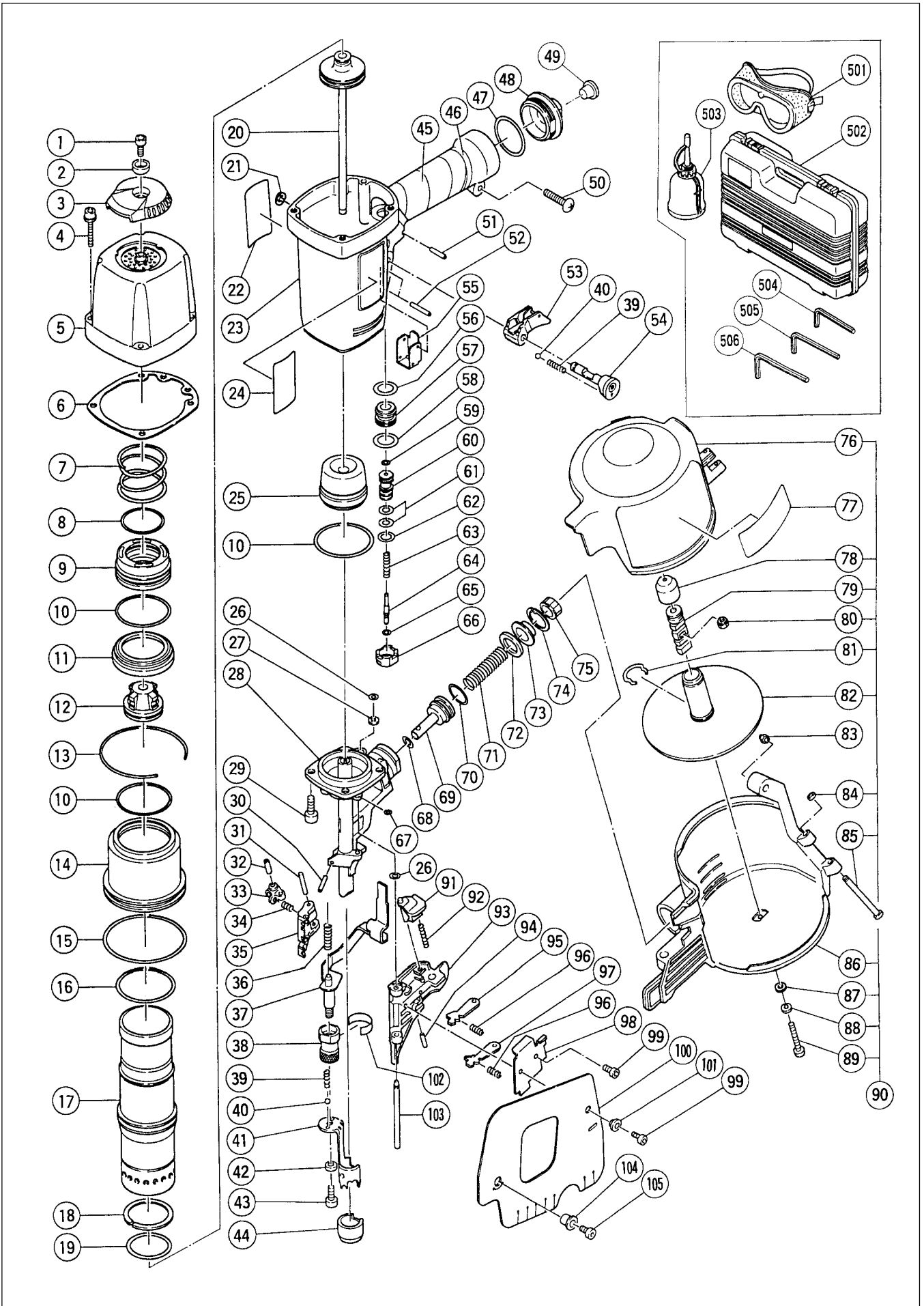
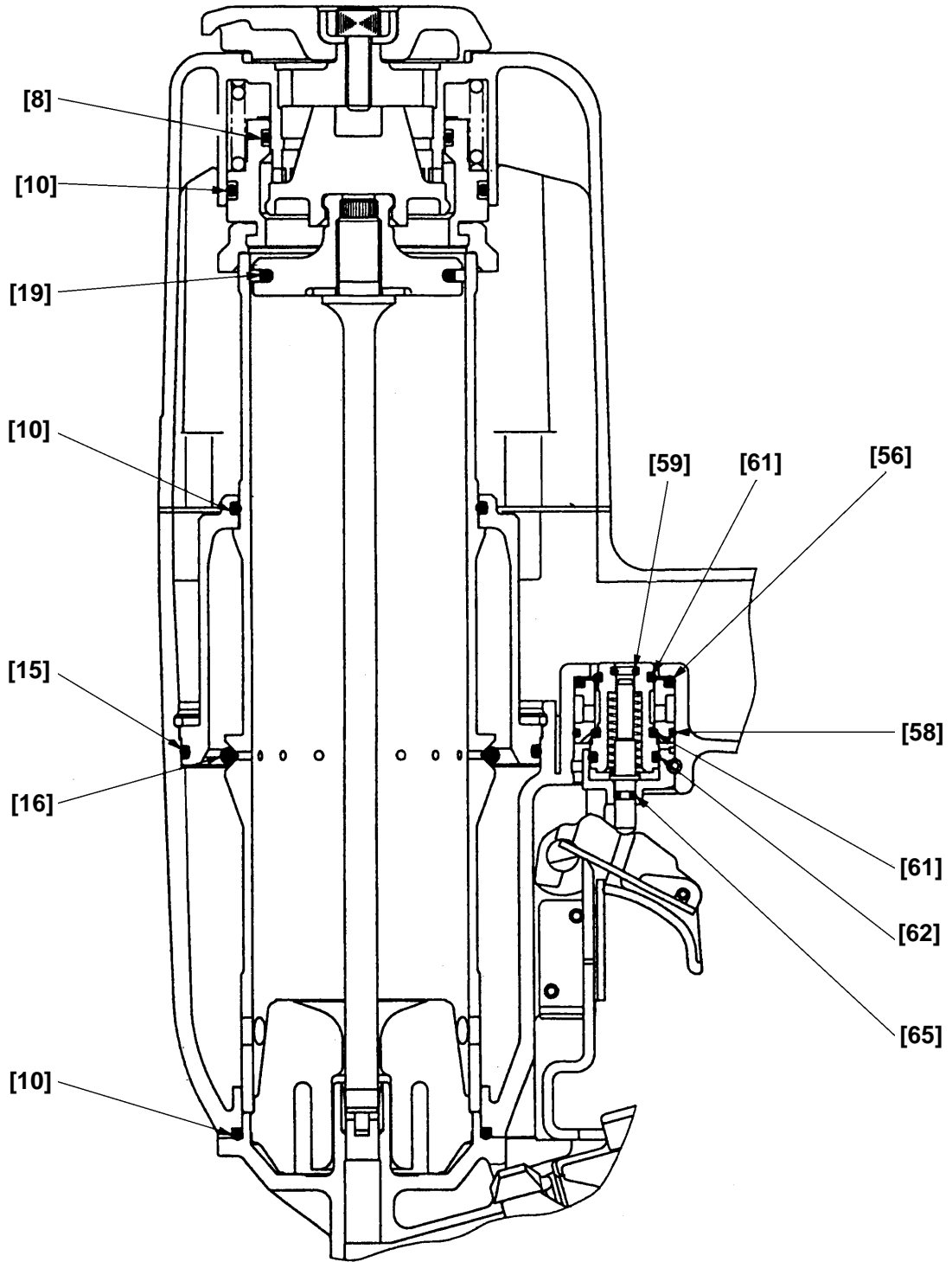


Assembly Diagram for NV 90AB





**PARTS**

NV 90AB

ITEM No.	CODE NO.	DESCRIPTION	NO. USED	REMARKS
1	949-755	HEX. SOCKET HD. BOLT M6X16 (10 PCS.)	1	
2	880-515	PLATE	1	
3	880-514	TOP COVER	1	
4	301-597	HEX. SOCKET HD. BOLT (W/FLANGE) M6X35	4	
*	5	882-820	EXHAUST COVER	1
*	5	882-821	EXHAUST COVER	1 FOR H/K
6	878-919	GASKET (B)	1	
7	878-912	SPRING	1	
8	878-913	O-RING (I.D 38.5)	1	
9	878-911	HEAD VALVE	1	
10	878-372	O-RING (I.D 52.6)	3	
11	878-918	HEAD VALVE RUBBER	1	
12	878-915	EXHAUST VALVE RUBBER	1	
13	880-513	RETAINING RING	1	
14	880-707	CYLINDER PLATE	1	
15	874-104	CYLINDER O-RING (I.D 68.3)	1	
16	878-961	O-RING	1	
17	881-007	CYLINDER	1	
18	878-931	PISTON RING	1	
19	880-127	O-RING	1	
20	880-990	PISTON (H)	1	
21	955-479	RETAINING RING (E-TYPE) FOR D6 SHAFT	1	
*	22	878-184	WARNING LABEL	1 EXCEPT FOR H/K
*	23	880-510	BODY ASS'Y	1 INCLUD.45,46
*	23	882-161	BODY ASS'Y	1 INCLUD.45,46 FOR H/K
24		NAME PLATE	1	EXCEPT FOR H/K
25	880-991	PISTON BUMPER	1	
26	874-436	O-RING (P-4)	2	
27	878-964	WASHER	1	
28	880-992	NOSE	1	
29	993-068	NYLOCK HIGH TENSION BOLT M7X20	4	
30	949-685	ROLL PIN D3X20 (10 PCS.)	1	
31	880-998	NEEDLE ROLLER	1	
32	949-770	ROLL PIN D4X14 (10 PCS.)	1	
33	878-132	FEEDER ARM	1	
34	878-340	FEEDER SPRING	1	
35	881-372	FEEDER	1	
36	878-425	SPRING	1	
37	880-499	PUSHING LEVER (B)	1	
38	880-082	ADJUSTER	1	
39	982-454	SPRING (C)	3	
40	959-155	STEEL BALL D3.97 (10 PCS.)	3	
41	881-000	PUSHING LEVER (A)	1	
42	880-081	WASHER	1	
43	949-657	HEX. SOCKET HD. BOLT M6X12 (10 PCS.)	1	
44	880-132	NOSE CAP (A)	1	
45	881-768	GRIP TAPE (A)	1	
46	880-407	TAPE	2	
47	880-183	O-RING (I.D 37.2)	1	
*	48	880-379	CAP	1
*	48	882-162	CAP	1 FOR H/K

\* : ALTERNATIVE PARTS

## PARTS

NV 90AB

ITEM No.	CODE NO.	DESCRIPTION	NO. USED	REMARKS
49	872-035	DUST CAP	1	
50	302-316	MACHINE SCREW M5X25 (BLACK)	1	
51	949-864	ROLL PIN D3X22 (10 PCS.)	1	
52	949-865	ROLL PIN D3X28 (10 PCS.)	2	
53	880-674	TRIGGER (A)	1	
54	880-086	CHANGE KNOB (B)	1	
55	880-361	PUSHING LEVER GUIDE	1	
56	877-699	HEAD VALVE O-RING (I.D 16.8)	1	
57	878-881	VALVE BUSHING (B)	1	
58	878-885	O-RING (S-18)	1	
59	981-317	O-RING (S-4)	1	
60	880-672	VALVE PISTON (B)	1	
61	878-925	O-RING (I.D 8.8)	2	
62	878-887	O-RING (I.D 11)	1	
63	878-884	PLUNGER SPRING	1	
64	880-673	PLUNGER (A)	1	
65	878-888	O-RING (I.D 1.8)	1	
66	880-671	VALVE BUSHING (A)	1	
67	880-319	SHAFT RING	1	
68	872-645	O-RING (P-9)	1	
69	880-999	FEED PISTON	1	
70	880-330	O-RING (P-21)	1	
71	877-144	FEED SPRING	1	
72	877-711	BUMPER	1	
73	880-331	FEED PISTON COVER	1	
74	939-555	RETAINING RING FOR D28 HOLE (10 PCS.)	1	
75	878-305	MAGAZINE BUSHING	1	
76	881-004	MAGAZINE COVER	1	
* 77	880-476	WARNING LABEL	1	EXCEPT FOR H/K
78	881-003	HOLDER CAP (A)	1	
79	880-505	HOLDER SHAFT	1	
80	876-465	NYLON NUT M4	1	
81	880-398	RATCHET SPRING	1	
82	880-503	NAIL HOLDER	1	
83	877-371	NYLON NUT M5	1	
84	877-826	FEEDER SHAFT RING	1	
85	880-508	PIN	1	
86	881-002	MAGAZINE	1	
87	949-423	WASHER M4 (10 PCS.)	1	
88	949-453	SPRING WASHER M4 (10 PCS.)	1	
89	949-226	MACHINE SCREW M4X35 (10 PCS.)	1	
90	881-001	MAGAZINE ASS'Y	1	INCLUD.76,78-82,84-89
91	880-495	GUIDE LOCK	1	
92	880-446	SPRING	1	
93	881-371	NAIL GUIDE	1	
94	949-749	ROLL PIN D3X8 (10 PCS.)	1	
95	880-493	NAIL STOPPER (A)	1	
96	880-494	STOPPER SPRING	2	
97	880-994	NAIL STOPPER (B)	1	
98	880-995	NAIL GUIDE COVER	1	
99	880-413	NYLOCK HEX. SOCKET HD. BOLT M4X10	2	

